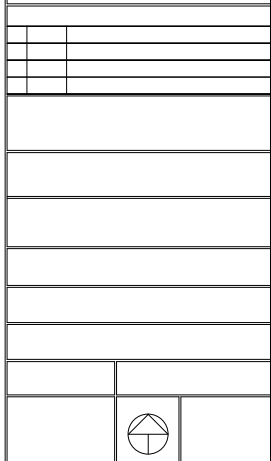
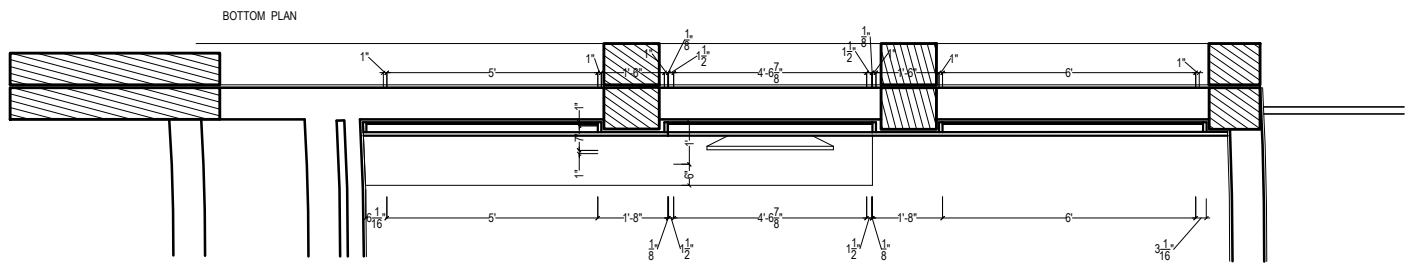
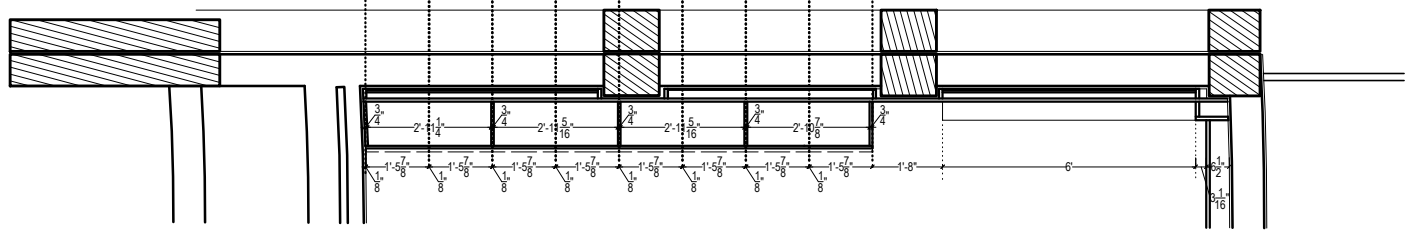
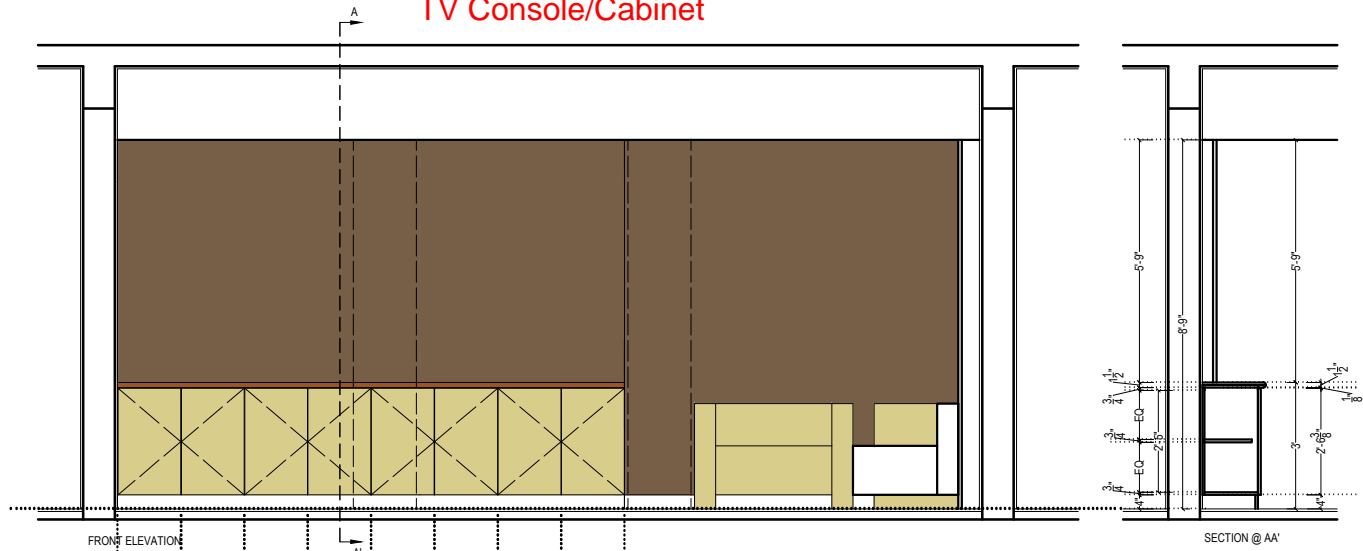
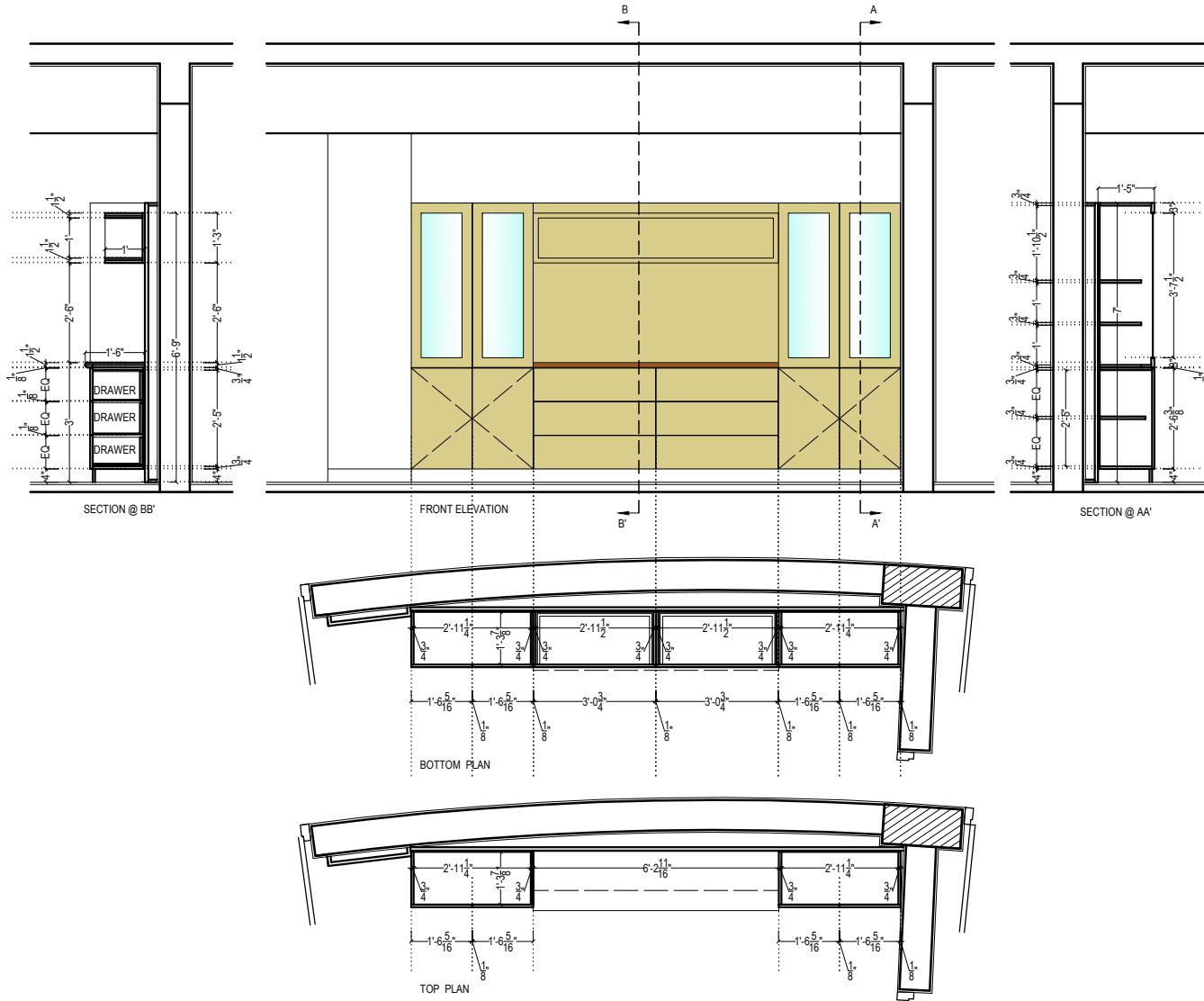


Annexure 2
 V C Office
 Item no. 07
 TV Console/Cabinet



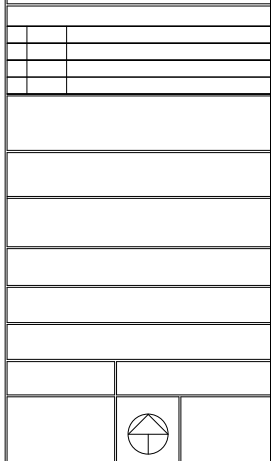
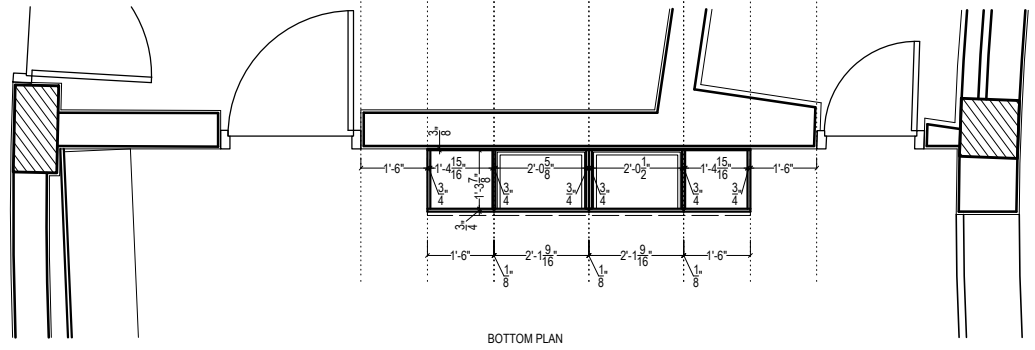
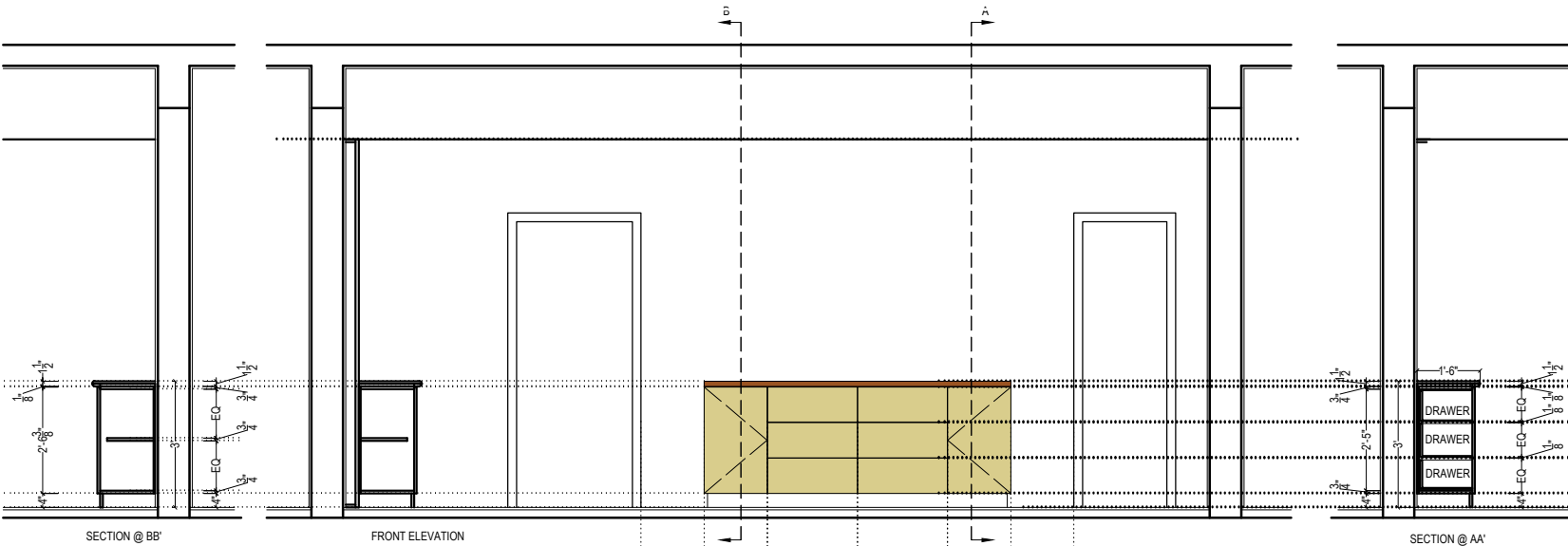
Annexure 3
V C Office
Item no. 08
Cabinet work against the side wall



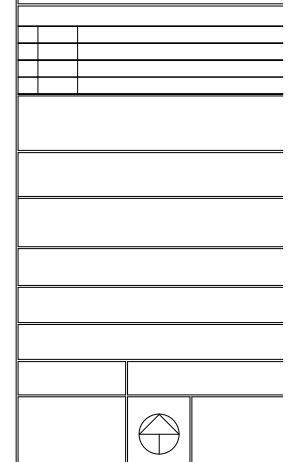
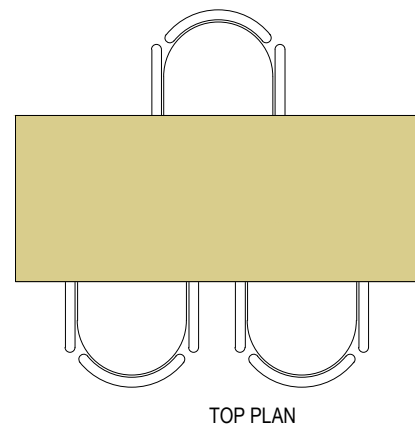
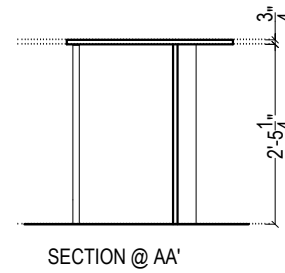
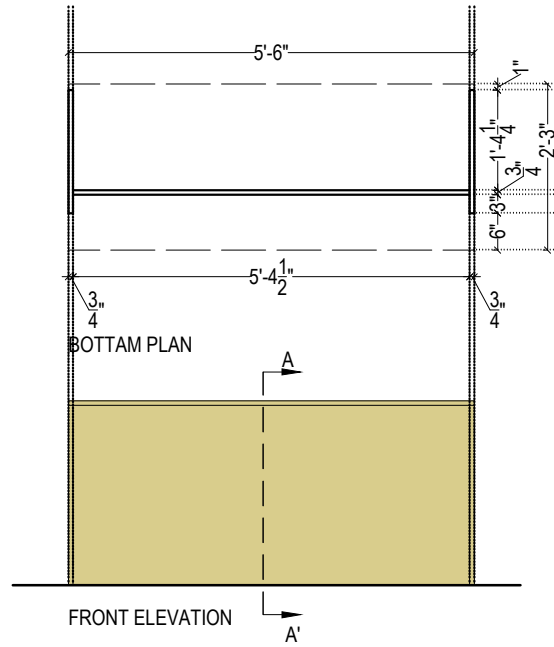
REVISIONS	



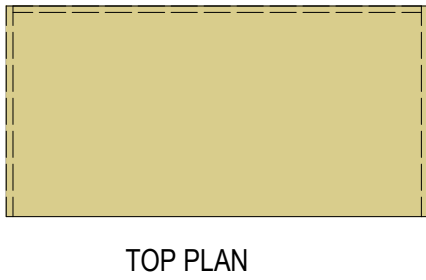
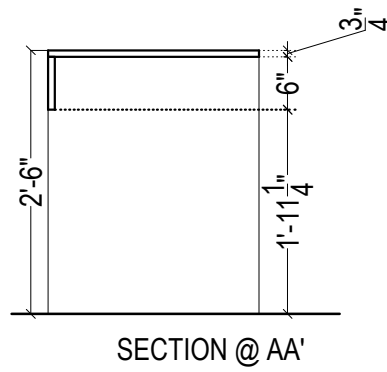
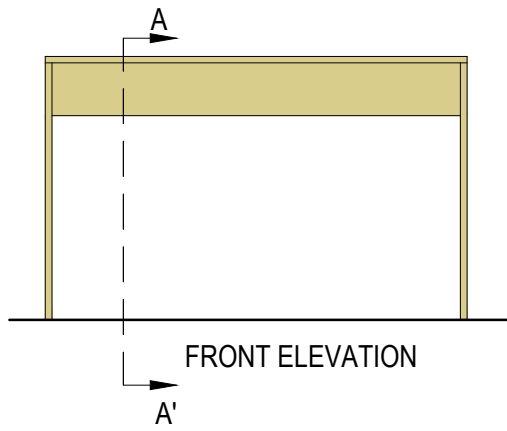
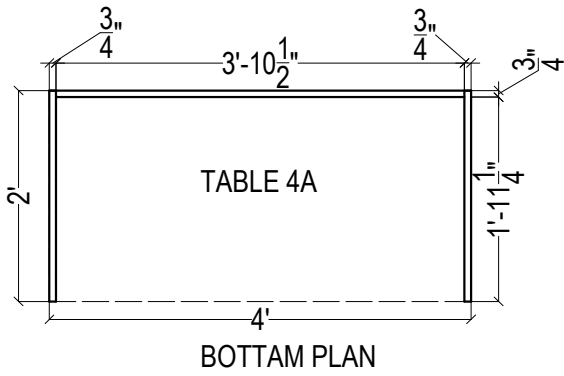
Annexure 4
 V C Office
 Item no. 09
 Cabinet work behind VC Executive Chair



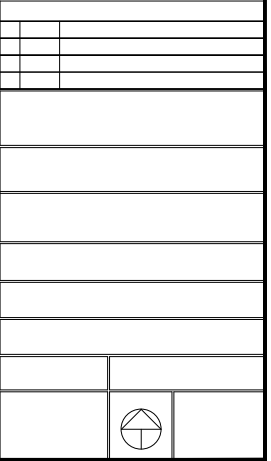
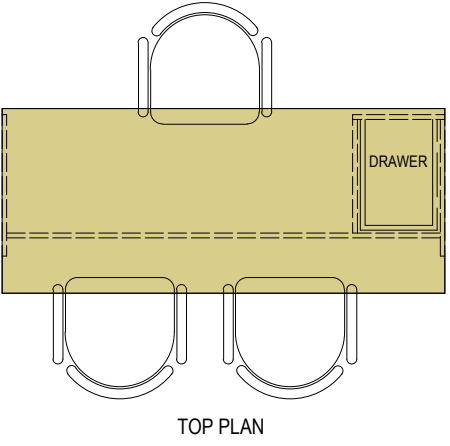
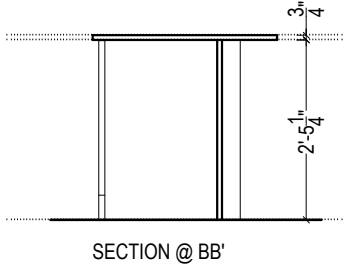
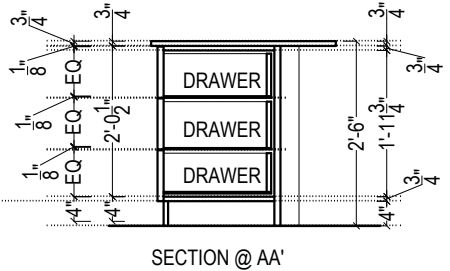
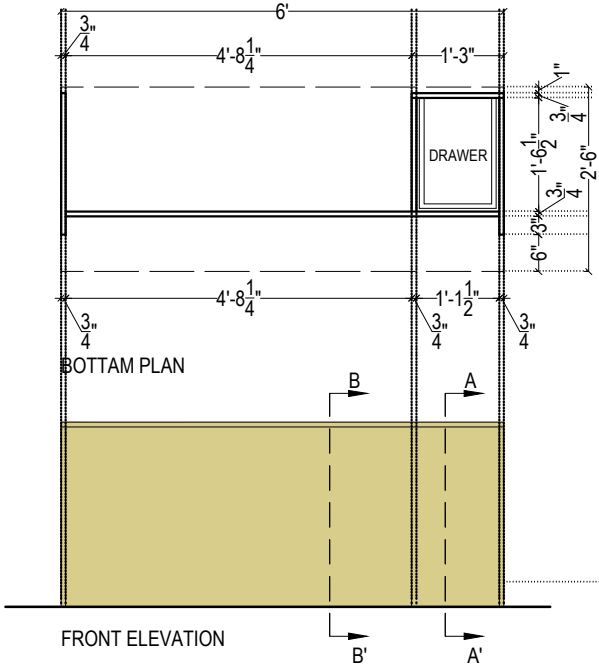
Annexure 6a
Conference Room
Item no. 16
Table for PA with side table



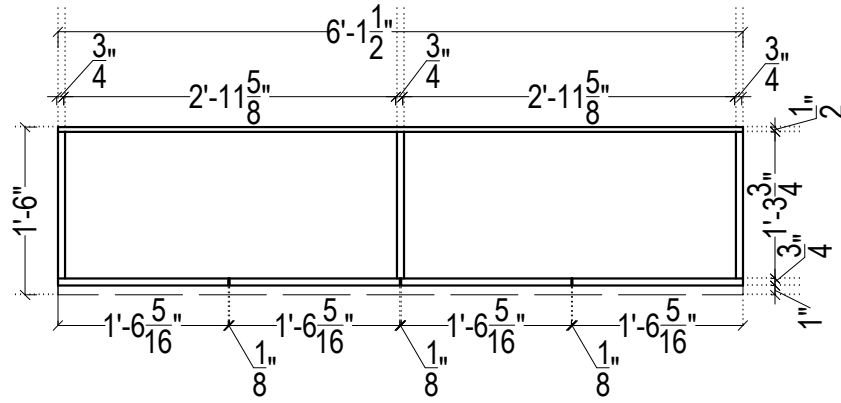
Annexure 7
Item no. 17
Conference Room
Side Cabinet



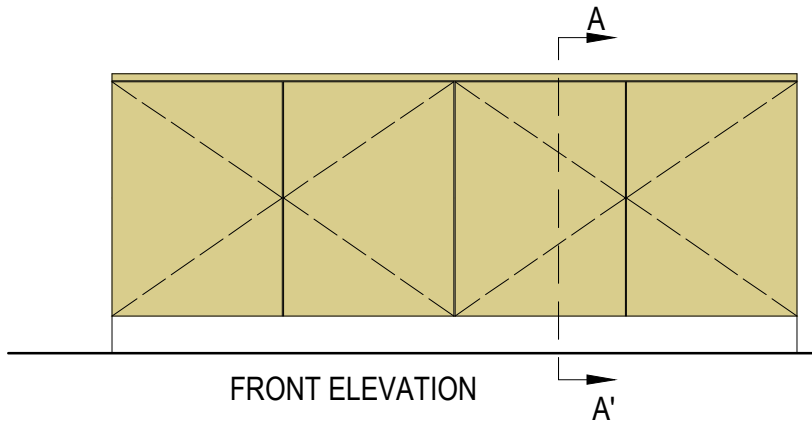
Annexure 8
 VC Secretariat
 Item no. 20
 Office Table



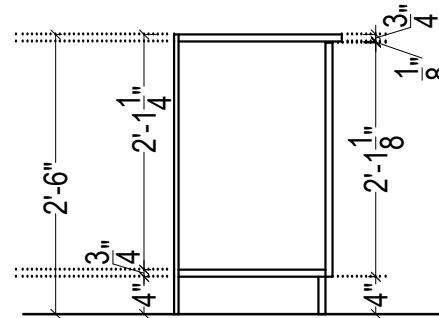
Annexure 9
 VC Secretariat
 Item no. 21
 Side Cabinet



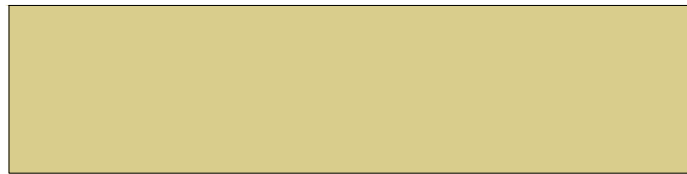
BOTTAM PLAN



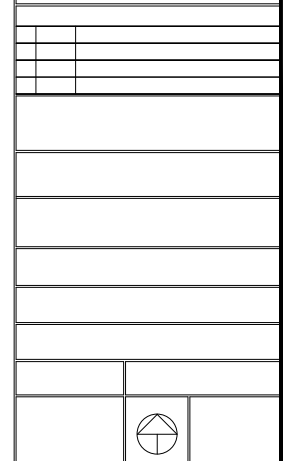
FRONT ELEVATION



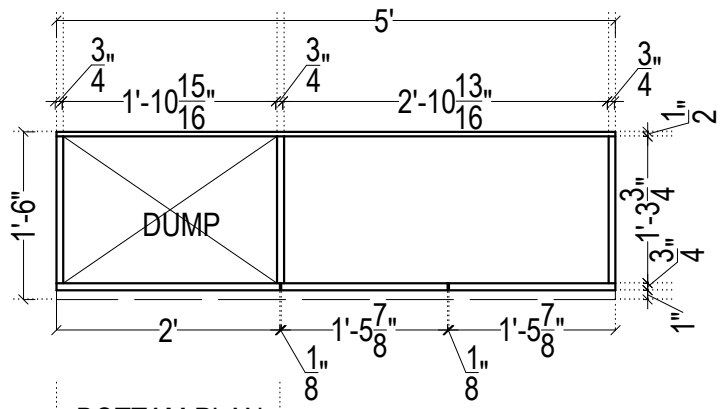
SECTION @ AA'



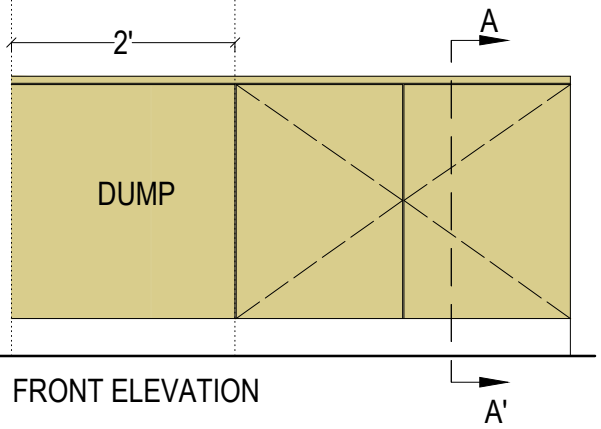
TOP PLAN



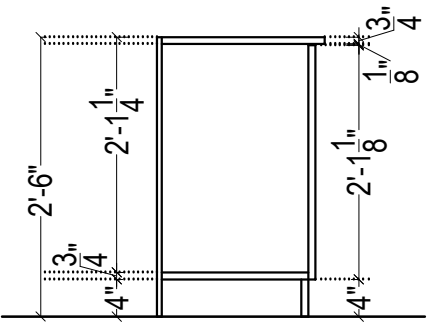
Annexure 10
 VC Secretariat
 Item no. 22
 Side Cabinet



BOTTOM PLAN



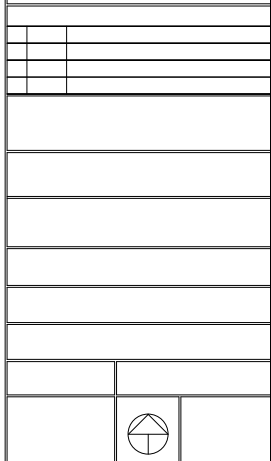
FRONT ELEVATION



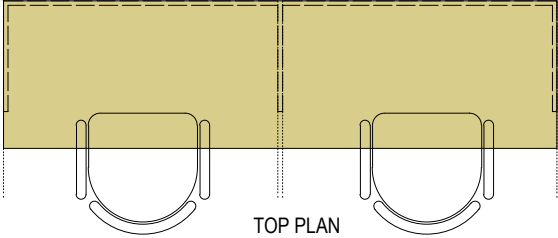
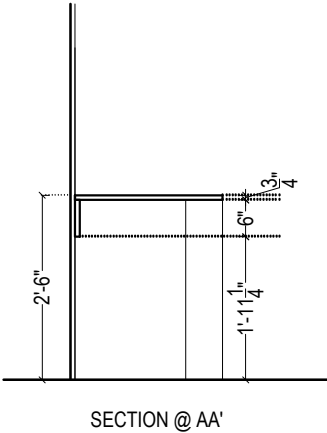
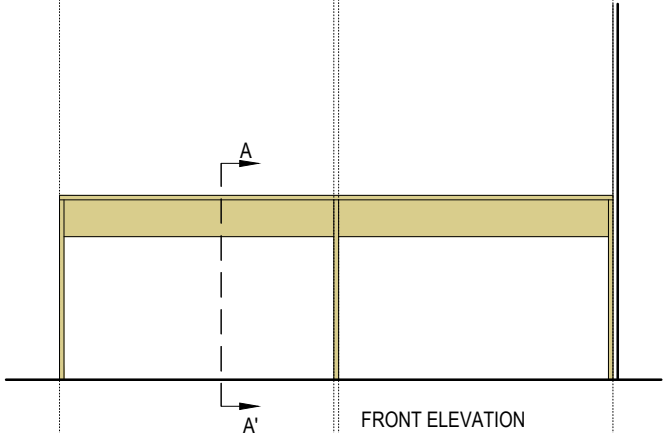
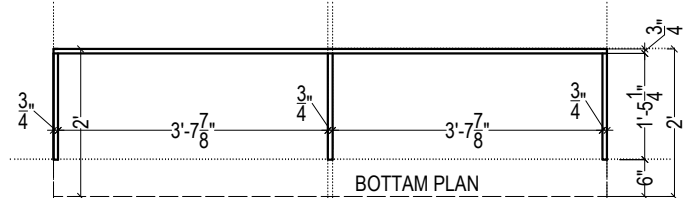
SECTION @ AA'



TOP PLAN



Annexure 12
 VC Secretariat
 Item No. 24
 Work Station



REVISIONS	



